

VDC SERIES

DIRECT STEAM COUNTER $\frac{2}{3}$ JACKETED TILTING KETTLE



SPECIFICATIONS:

Direct steam, all welded stainless steel, $\frac{2}{3}$ jacketed counter tilting steam kettle. Vulcan-Hart Model No. (VDC6) (VDC10) (VDC20). Removable tilt handle with insulated knob mounted on the right rim. Fully welded hemispheric bottom kettle with type 304 stainless steel jacket and type 316 stainless steel liner. Jacket tested to 50 psi (3.4 kg/cm²). Hemispheric kettle bottom. Steam supply controlled with valve mounted in right leg and condensated drain through the left leg.

NSF listed. Meets ASME code.

- VDC6** 6 gallons/24 quarts/23 liters capacity.
- VDC10** 10 gallons/40 quarts/38 liters capacity.
- VDC20** 20 gallons/80 quarts/76 liters capacity.

STANDARD FEATURES

- Direct steam, all welded stainless steel, $\frac{2}{3}$ jacketed counter tilting steam kettle.
- Removable tilt handle with insulated knob mounted on the right rim.
- Fully welded hemispheric bottom kettle with type 304 stainless steel jacket and type 316 stainless steel liner.
- Jacket tested to 50 psi (3.4 kg/cm²).
- Hemispheric kettle bottom.
- Steam supply controlled with valve mounted in right leg and condensated drain through the left leg.
- One year limited parts and labor warranty.

OPTIONS

- Correction facility package.
 - a. Security type tamper resistant fasteners with tack welds.
- Second year extended limited parts and labor warranty.

ACCESSORIES

- Steam control assembly (line strainer, steam trap, safety valve).
- Contour measuring strip.
- Single perforated stainless steel basket assembly.



VDC SERIES

DIRECT STEAM COUNTER ²/₃ JACKETED TILTING KETTLE

DIRECT STEAM DATA:

Steam supply to the kettles must:

1. Maintain a steady 10 psi flow under operating conditions.
2. Have a minimum flow rate of dry steam per hour (see chart).
3. Be adequately trapped to provide dry steam. (See ball float trap).

STEAM FLOW AT 10 PSIG AT THE KETTLE

Time to boil	Fast Boil 12 minutes		Medium Boil 20 minutes		Stock Boil 30 minutes	
	lbs/hr	kg/hr	lbs/hr	kg/hr	lbs/hr	kg/hr
6 Gallons	32	18	21	10	14	6
10 Gallons	65	30	36	16	24	11
20 Gallons	130	60	72	32	48	22

SERVICE CONNECTIONS:

Steam Supply: 1/2" IPS.

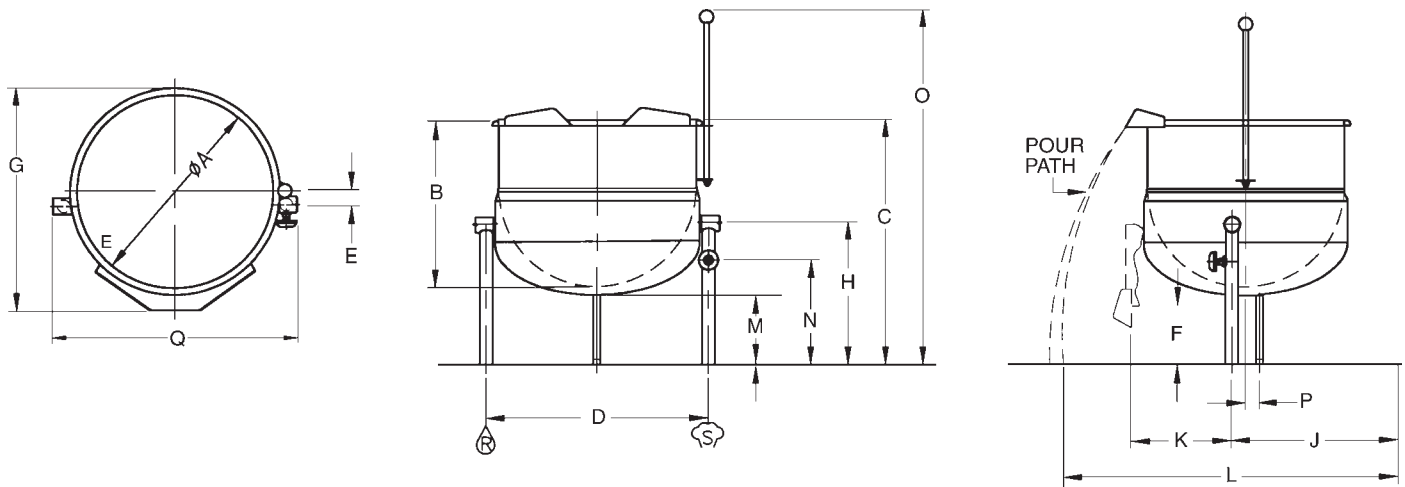
Condensate Return: 1/2" IPS.

NOTE:

- Installation of backflow preventers, vacuum breakers and other specific code requirements is the responsibility of the owner and installer. It is the responsibility of the owner and installer to comply with local codes.
- This appliance is manufactured for commercial installation only and is not intended for home use.

MODEL NO.	BRIMFUL CAPACITY*	4 OZ. SVGS.	A	B	C	D	E	F	G	H	J	K	L	M	N	O	P	Q
VDC6	6 gallons, 24 quarts 23 liters	192	12 305	14.5 368	19.5 495	13.75 349	5 127	7.5 191	15.12 384	8.5 216	12.25 311	10.38 264	30.25 768	4 102	4.38 111	30.75 781	0 0	15.75 400
VDC10	10 gallons, 40 quarts 38 liters	320	16 406	15 381	18.5 470	13.75 349	7 178	7.75 197	19.12 486	9 229	16.25 413	8.88 225	32.25 819	2.38 60	4.88 124	29.75 756	0 0	15.75 400
VDC20	20 gallons, 80 quarts 76 liters	640	21 533	18 457	26.5 673	23.5 597	1.5 38	6.25 159	24.12 613	15.25 387	13.25 337	10.5 267	40.5 1029	7.5 191	11.12 283	38.25 972	1.5 38	26 660

* Working capacity 70% to 80% of brimful depending on model.



NOTE: In line with its policy to continually improve its products, Vulcan-Hart Company reserves the right to change materials and specifications without notice.