

## MODEL 2T2036G

### TWO 24 QUART $\frac{2}{3}$ JACKETED TILTING KETTLE ON GAS BOILER BASE



#### SPECIFICATIONS:

Two 24 quart  $\frac{2}{3}$  jacketed tilting steam kettles mounted on a 36" wide gas boiler base, Vulcan-Hart Model No. 2T2036G. Steam jacketed kettle mounted on 28" high base cabinet with stainless steel frame, front full height doors, slip-off stainless steel side and aluminized rear panel with 6" adjustable legs with flanged feet for anchoring. Fully welded hemispheric bottom kettle with type 304 stainless steel jacket and type 316 stainless steel liner. Jacket tested to 50 psi (3.4 kg/cm<sup>2</sup>). Steam control valve on right trunnion leg. 12" single temperature deck mounted faucet. 200,000 BTU/hr. gas steam boiler. Requires 120 volt, 60 Hz, 1 phase control circuit, 3 amp.

#### Exterior dimensions:

Cabinet: 36"w x 33"d x 28"h on 6" adjustable legs. Overall height to the lip of the kettle - 46", to the top of the flue - 58 $\frac{5}{8}$ ".

CSA design certified. Classified by U L to NSF Std. #4. Meets ASME Code.

#### STANDARD FEATURES

- Two  $\frac{2}{3}$  jacketed tilting steam kettles, 24 quart capacity each.
- Steam jacketed kettle mounted on 28" high base cabinet with stainless steel frame, front full height doors, slip-off stainless steel side and aluminized rear panel with 6" adjustable legs with flanged feet for anchoring.
- Fully welded hemispheric bottom kettle with type 304 stainless steel jacket and type 316 stainless steel liner. Jacket tested to 50 psi (3.4 kg/cm<sup>2</sup>).
- Steam control valve on right trunnion leg.
- 12" single temperature deck mounted faucet.
- CSD-1 code compliant boiler.
- Electronic ignition.
- 200,000 BTU/hr. gas steam boiler.
- Requires a 120 volt, 60 Hz, 1 phase control circuit, 3 amp.
- Water filter system, SPS620V. Includes second year extended limited water associated parts and labor warranty.
- One year limited parts and labor warranty.

#### OPTIONS

- Correction package.
  - Cabinet door with hasp (lock by others).
  - Security type tamper resistant fasteners.
  - Front flanged feet.
- Stainless steel finishing back.
- Stainless steel main frame.
- 12" dual temperature faucet.
- 240,000 BTU/hr. input boiler.
- Tilting kettle strainer (one) (two).
- Mount and interconnect kettle with boiler base at factory. Includes steam supply piping. Shipped on one skid.
- Second year extended limited parts and labor warranty.

#### ACCESSORIES

- Stainless steel back panel.
- Lift-off cover (one) (two).
- Contour measuring strip.
- Single perforated stainless steel basket (one) (two).



# MODEL 2T2036G

## TWO 24 QUART $\frac{2}{3}$ JACKETED TILTING KETTLES ON GAS BOILER BASE

### WATER QUALITY STATEMENT:

The fact that a water supply is potable is no guarantee that it is suitable for steam generation. Your water supply must be within these general guidelines:

<b>SUPPLY PRESSURE</b>	20 - 60 psig
<b>HARDNESS*</b>	less than 3 grains
<b>SILICA</b>	less than 13 ppm
<b>TOTAL CHLORIDE</b>	less than 4.0 ppm
<b>pH RANGE</b>	7-8
<b>UN-DISSOLVED SOLIDS</b>	less than 5 microns

\* 17.1 ppm = 1 grain of hardness

Other factors affecting steam generation are iron content, amount of chlorination and dissolved gases. Water supplies vary from state to state and from locations within a state. Therefore it is necessary that the local water treatment specialist be consulted before the installation of any steam generating equipment.

### SERVICE CONNECTIONS:

- A Gas Connection:**  $\frac{3}{4}$ " NPT.
- B Electrical Connection for Controls:** 120/60/1. 300 watt maximum, power supply with grounding wire required.
- C Drain:** Condensate box, compartment and boiler,  $1\frac{1}{2}$ " NPT. (Provide an open air type drain within 12" of condensate box and for best results at a distance so that steam vapors will not enter the steamer from underneath the control area. Do not connect solidly to any drain connection.)
- D Cold Water Connections (2):**
  - D1 Treated Cold Water Connection:**  $\frac{1}{4}$ " NPT for boiler feed. Inlet water pressure between 20 and 80 psi.
  - D2 Untreated Cold Water Connection:**  $\frac{1}{4}$ " NPT for condensate box. Inlet water pressure between 20 and 80 psi.
- E Water:** For swing faucet, (single) (dual) temperature,  $\frac{1}{4}$ " tubing.

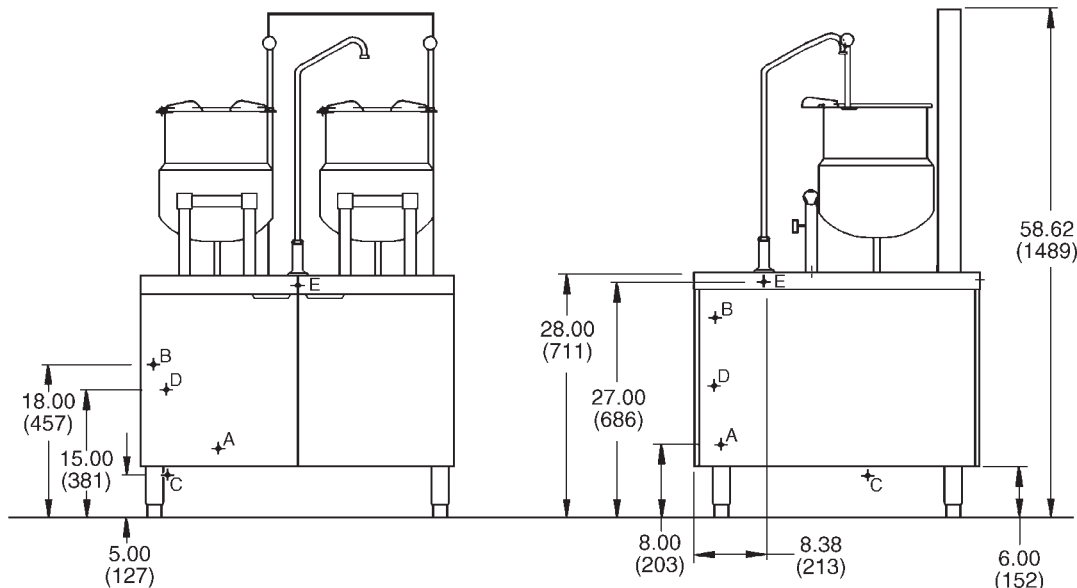
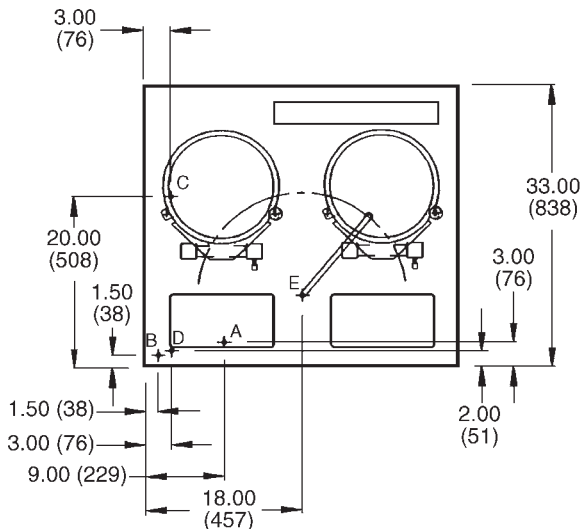
<b>EQUIPMENT CLEARANCE:</b>	Combustible	Non-Combustible
Side Walls & Rear Wall	6"	0"

### BRIMFUL CAPACITIES (in 4 oz. servings):

24 quarts / 6 gallons / 22.5 liters - 192 servings per kettle.

### NOTE:

- Dimensions which locate the above connections have a tolerance of + or -3" (+ or -75 mm).
- Installation of backflow preventers, vacuum breakers and other specific code requirements is the responsibility of the owner and installer. It is the responsibility of the owner and installer to comply with local codes.
- Plastic drains are not recommended due to inherent limited temperatures of the plastic. Boiler purge temperatures may exceed 180°F. The installer may be required to provide means to reduce boiler purge water temperature to be that of the condensate temperature of 140°F or less.
- This appliance is manufactured for commercial installation only and is not intended for home use.



**NOTE:** In line with its policy to continually improve its products, Vulcan-Hart Company reserves the right to change materials and specifications without notice.