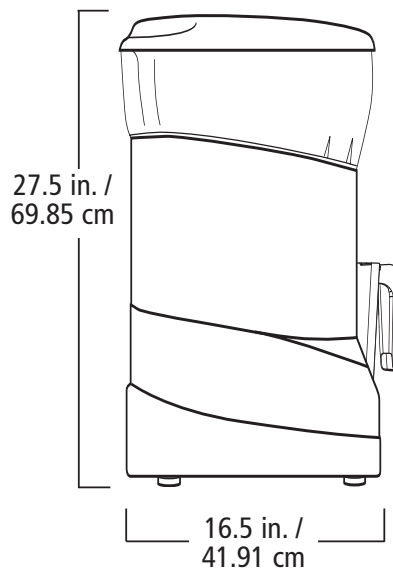
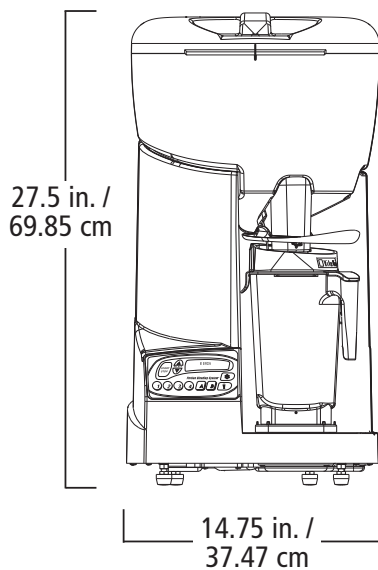


THE PORTION BLENDING SYSTEM® (PBS) ADVANCE HAS NEW PROGRAMMING OPTIMIZED FOR NOISE REDUCTION AND PERFORMANCE ENHANCEMENT. THE ADVANCED ICE SHAVER BLENDER, WITH ITS LARGE 5 GALLON / 19 LTR. ICE CAPACITY, PERFORMS EASIER AND FASTER THAN EVER BEFORE WITH ANY DRINK MIX AND OTHER INGREDIENTS! EACH PROGRAM COMBINES THE RIGHT SPEED AND TIMING TO ELIMINATE THE GUESSWORK AND IS CUSTOMIZABLE FOR SIGNATURE DRINKS. THE PBS CAN ALSO BE USED AS A BLENDER ONLY, AND HAS AN EASY-TO-USE PULSE CONTROL TO REFRESH DRINKS QUICKLY. POUR, BLEND, SERVE IN SECONDS!

PORTION BLENDING SYSTEM® (PBS) ADVANCE	
ITEM NUMBER	DESCRIPTION
1544	Portion Blending System® (PBS) Advance with 48 oz. / 1.4 Ltr. XP container and blade; No Warranty
1545	Portion Blending System® (PBS) Advance with 48 oz. / 1.4 Ltr. XP container and blade; One Year Parts Only Warranty
1546	Portion Blending System® (PBS) Advance with 48 oz. / 1.4 Ltr. XP container and blade; One Year Parts AND Labor Warranty

These Item Numbers are for 120 VAC. Other voltages are also available.



PORTION BLENDING SYSTEM® (PBS) ADVANCE
Portion Control
Ice Shaver Blender

Specifications:

Blender Motor:
 2+ peak motor horsepower

Shaver Motor:
 .25 peak motor horsepower
 permanent magnet motor
 120 VAC, 50/60 Hz,
 12 Amps

Other Voltages Available

Container has XP (Xtreme Performance) Blade

Pack: 1 per standard pack
Weight: 58 lbs. / 26.3 kg
Cube: 6.8 cu. ft. / .19 cu. m
Case: 31 in. / 78.7 cm H x
18 in. / 45.7 cm W x
21 in. / 53.3 cm D

Model # VM0126



when applicable

