



STAINLESS STEEL  
**SINGLE & DOUBLE BOWL  
 KITCHEN DROP-IN SINKS**



**Item #:** \_\_\_\_\_ **Qty #:** \_\_\_\_\_  
**Model #:** \_\_\_\_\_  
**Project #:** \_\_\_\_\_

**FEATURES:**

One piece seamless **Deep Drawn** stainless steel bowls.  
 Self rimming design.  
 Flat deck allowing for more faucet options.  
 All bowls are sound deadened.  
 Units feature Advance Tabco's **Smart Finish™**.

**MATERIALS:**

Stainless Steel Type 304 18 Gauge  
 Stainless Steel Basket Drain - 1 1/2 IPS.

**DESIGN:**

Mounting hardware supplied.  
 Unit punched with 1 1/8" dia. faucet holes.

**FAUCETS OPTIONAL**

**SINGLE BOWL DROP-IN SINKS**

MODEL#	OVERALL LxW	BOWL SIZE LxW	BOWL DEPTH* (D)	CUTOUT (1 1/4" RADIUS CORNERS)	Approx. Wt.
SS-1-1715-7RE	17"x15"	14"x10"	7-1/2"	16 1/4"x14 1/4"	12 lbs.
SS-1-1919-7RE	19"x19"	16"x14"	7-1/2"	18 1/4"x18 1/4"	16 lbs.
SS-1-2321-7RE	23"x21"	20"x16"	7-1/2"	22 1/4"x20 1/4"	20 lbs.
SS-1-1919-10RE	19"x19"	16"x14"	10"	18 1/4"x18 1/4"	18 lbs.
SS-1-2321-10RE	23"x21"	20"x16"	10"	22 1/4"x20 1/4"	22 lbs.
SS-1-3125-10RE	31"x25"	28"x20"	10"	30 1/4"x24 1/4"	44 lbs.
SS-1-1919-12RE	19"x19"	16"x14"	12"	18 1/4"x18 1/4"	20 lbs.
SS-1-2321-12RE	23"x21"	20"x16"	12"	22 1/4"x20 1/4"	24 lbs.
SS-1-3125-12RE	31"x25"	28"x20"	12"	30 1/4"x24 1/4"	44 lbs.

**DOUBLE BOWL DROP-IN SINKS**

MODEL#	OVERALL LxW	BOWL SIZE LxW	BOWL DEPTH* (D)	CUTOUT (1 1/4" RADIUS CORNERS)	Approx. Wt.
SS-2-3321-7RE	33 1/2"x21"	14"x16"	7-1/2"	32 3/4"x20 1/4"	33 lbs.
SS-2-4521-7RE	45 1/2"x21"	20"x16"	7-1/2"	44 3/4"x20 1/4"	38 lbs.
SS-2-3321-10RE	33 1/2"x21"	14"x16"	10"	32 3/4"x20 1/4"	35 lbs.
SS-2-4521-10RE	45 1/2"x21"	20"x16"	10"	44 3/4"x20 1/4"	39 lbs.
SS-2-3321-12RE	33 1/2"x21"	14"x16"	12"	32 3/4"x20 1/4"	37 lbs.
SS-2-4521-12RE	45 1/2"x21"	20"x16"	12"	44 3/4"x20 1/4"	40 lbs.

Length is Left to Right. Width is Front to Back

*Commercial Home Products Collection*  
 CALL TOLL FREE: 866-799-0106 • TOLL FREE FAX: 866-799-0249 • email: info@advancetabcohome.com  
 200 Heartland Blvd. Edgewood New York 11717

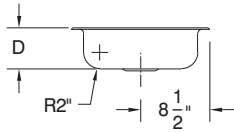
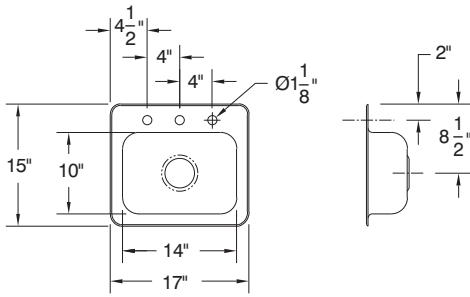


# DIMENSIONS and SPECIFICATIONS

TOL ± .125"

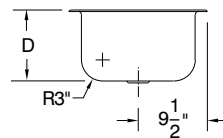
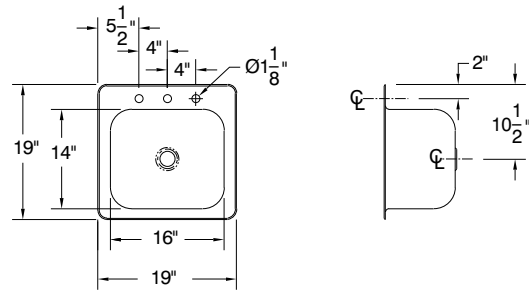
ALL DIMENSIONS ARE TYPICAL

**SS-1-1715RE**



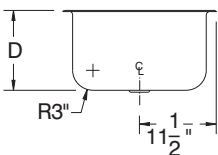
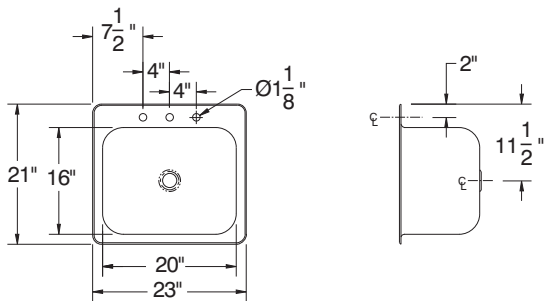
**Cut-Out Size**  
**16 1/4" x 14 1/4"**  
**1 1/4" radius corners**

**SS-1-1919RE**



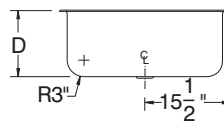
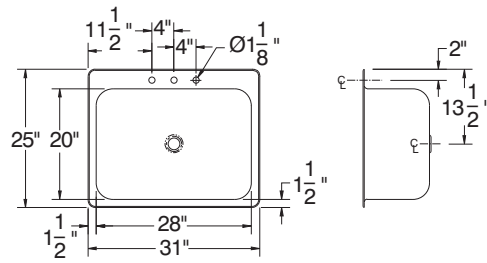
**Cut-Out Size**  
**18 1/4" x 18 1/4"**  
**1 1/4" radius corners**

**SS-1-2321RE**



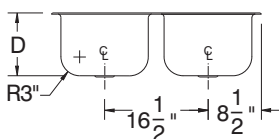
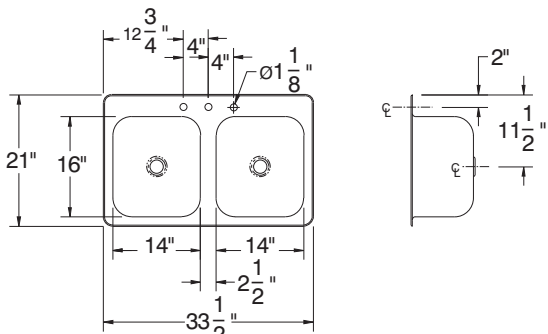
**Cut-Out Size**  
**22 1/4" x 20 1/4"**  
**1 1/4" radius corners**

**SS-1-3125RE**



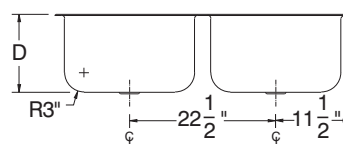
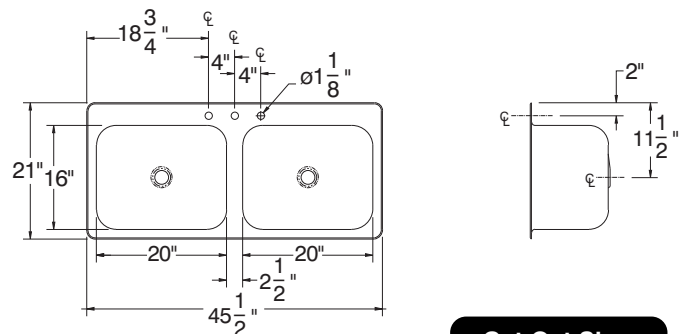
**Cut-Out Size**  
**30 1/4" x 20 1/4"**  
**1 1/4" radius corners**

**SS-2-3321RE**



**Cut-Out Size**  
**32 3/4" x 20 1/4"**  
**1 1/4" radius corners**

**SS-2-4521RE**



**Cut-Out Size**  
**44 3/4" x 20 1/4"**  
**1 1/4" radius corners**



200 Heartland Boulevard, Edgewood, NY 11717-8380

ADVANCE TABCO is constantly engaged in a program of improving our products. Therefore, we reserve the right to change specifications without prior notice.

© ADVANCE TABCO, JANUARY 2005