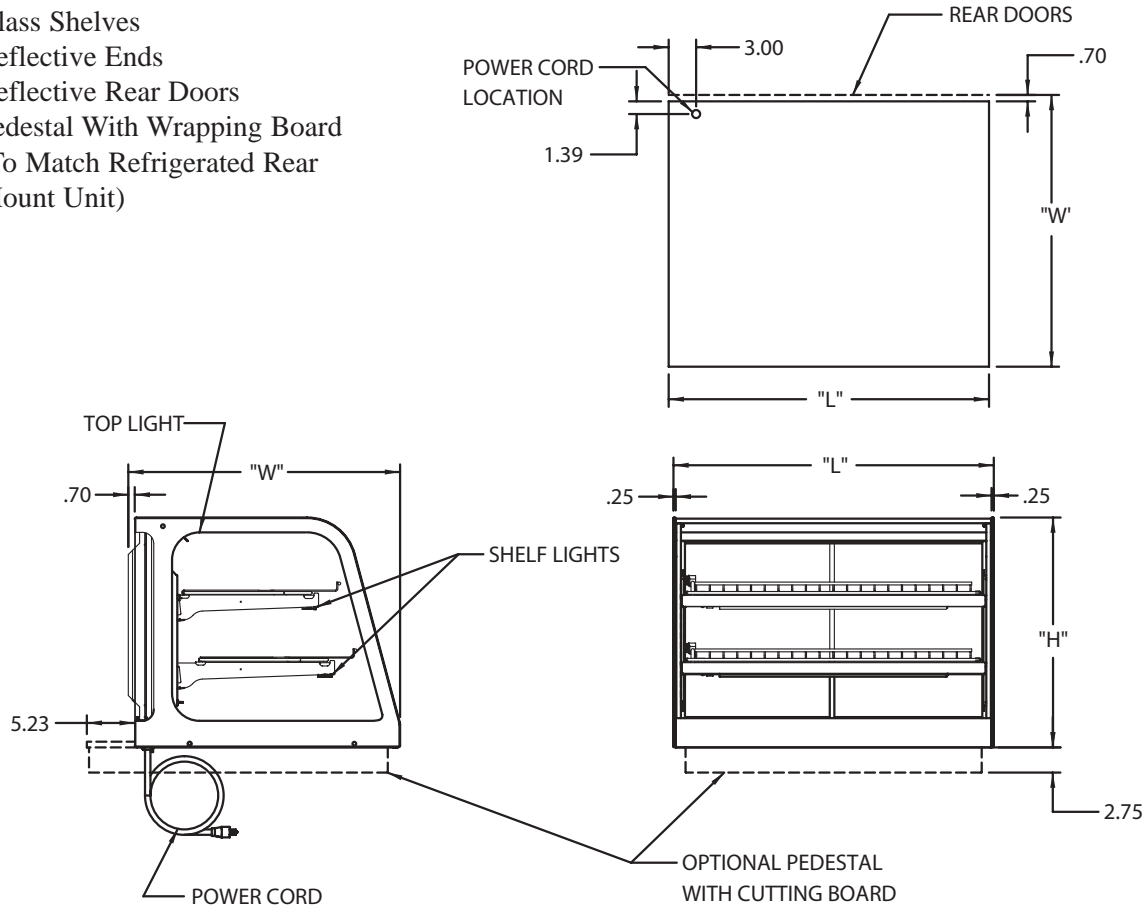


SIGNATURE SERIES

NON-REFRIGERATED COUNTER TOP MERCHANDISER

OPTIONAL ACCESSORIES:

- * Glass Shelves
- * Reflective Ends
- * Reflective Rear Doors
- * Pedestal With Wrapping Board
(To Match Refrigerated Rear Mount Unit)



SPECIFICATIONS:

Model	Dimensions			Shipping Weight (lbs)	Electrical 120/60/1
	L	W	H		
CD3628	35"	29.7"	25.12"	325	1.5 AMPS
CD4828	47"	29.7"	25.12"	351	1.5 AMPS

- Due to continuing engineering improvements, specifications are subject to change without notice.



Look to Federal for Innovative Merchandising



a Standex company

Federal Industries
A Standex Company
215 Federal Avenue
Belleville WI 53508-0290
Phone: 800-356-4206
Fax: 608-424-3234
Email: geninfo@federalind.com
Web Site: www.federalind.com