



STAINLESS STEEL
DROP-IN SINKS
One Compartment

For Hand Sink Use!
Includes Gooseneck Faucet & Drain

Item #: _____ *Qty #:* _____
Model #: _____
Project #: _____



DI-1-5



DI-1-5SP



DI-1-10



DI-1-25

**New 6"
Rear & Side
Splash**



DI-1-10SP



DI-1-35

FEATURES:

One piece seamless **Deep Drawn** sink bowl design.
All sink bowls have a large liberal radii with a minimum dimension of 2" and are rectangular in design for increased capacity.
Self-Rim Design. Mounting hardware is provided (For countertops over 1-1/8" Thick, please add **K-28** for longer Mounting Clips).

CONSTRUCTION:

Unit fabricated from one sheet of stainless steel.
All bowls are Sound Deadened.
Units feature Advance Tabco's **Smart Finish™**.

MECHANICAL:

Faucet supply is 1/2" IPS male thread.
Deck mounted faucet is furnished with aerator and 4" O.C.
Basket drain 1-1/2" IPS.

MATERIAL:

20 gauge type 304 series stainless steel.
Faucets are brass-nickel plated.
Stainless Steel Basket Drain.

Available Faucets
4" O.C.

	Model #	Qty
Deck Mounted Gooseneck	K-52	
Deck Mtd. Large Gooseneck	K-55	
Deck Mounted X.H.D. Gooseneck	K-62	

FOR REPLACEMENT FAUCET, DRAINS AND ACCESSORIES, SEE SECTION G



NEW YORK
(800) 645-3166
Fax: (631) 242-6900

GEORGIA
(800) 832-1218
Fax: (770) 775-5625

TEXAS
(800) 527-0353
Fax: (972) 932-4795

NEVADA
(800) 446-8684
Fax: (775) 972-1578

For Assistance with
Smart Modifications & Accessories Call:

1-800-498-6634 Fax: 631-586-2933
smartfab@advancetabco.com

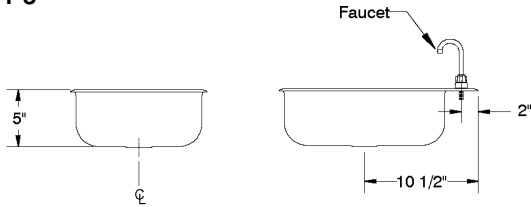
DIMENSIONS and SPECIFICATIONS

TOL ± .125"

Supplied with K-52 Faucet

ALL DIMENSIONS ARE TYPICAL

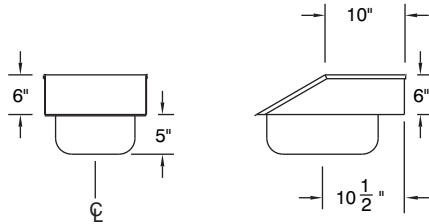
DI-1-5



Approx. Wt. 12 lbs.



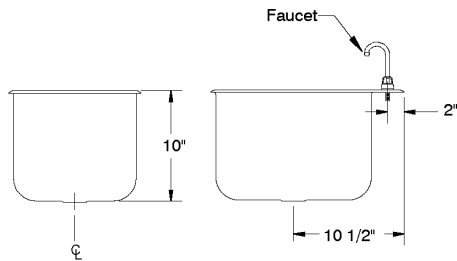
DI-1-5SP



Approx. Wt. 16 lbs.



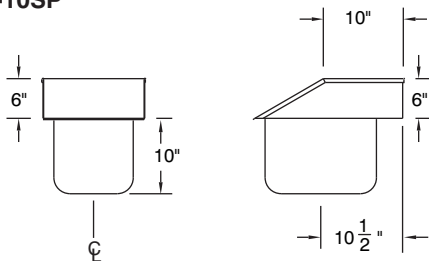
DI-1-10



Approx. Wt. 14 lbs.



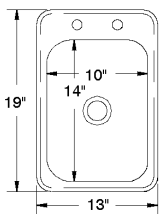
DI-1-10SP



Approx. Wt. 18 lbs.

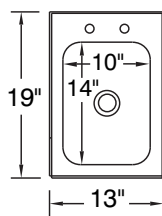


TOP VIEW FOR
DI-1-5 & DI-1-10

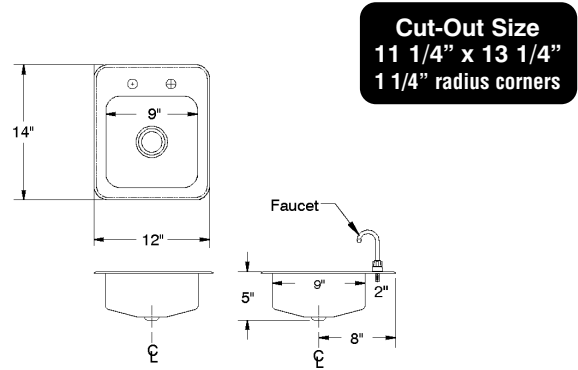


Cut-Out Size
12 1/4" x 18 1/4"
1 1/4" radius corners

TOP VIEW FOR
DI-1-5SP & DI-1-10SP



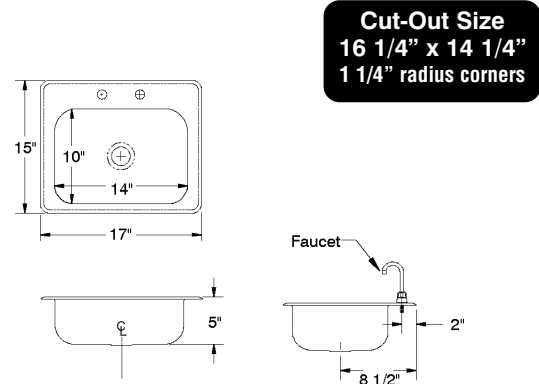
DI-1-25



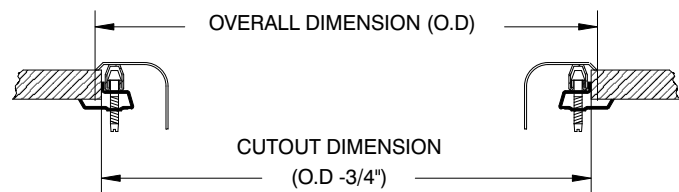
Approx. Wt. 8 lbs.



DI-1-35



Approx. Wt. 10 lbs.



Cut-Out Size = L to R x F to B



ADVANCE TABCO is constantly engaged in a program of improving our products. Therefore, we reserve the right to change specifications without prior notice.

© ADVANCE TABCO, JANUARY 2005