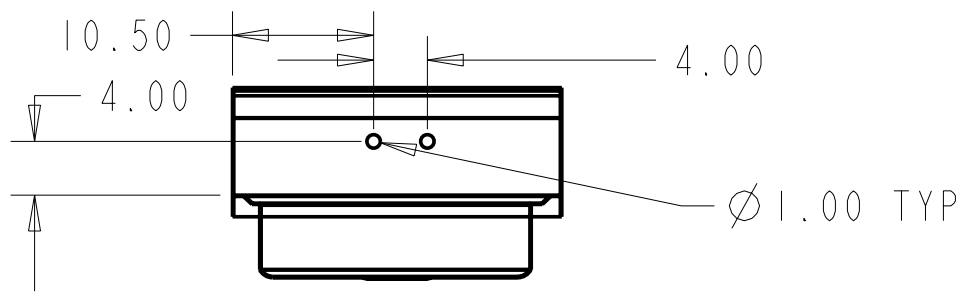
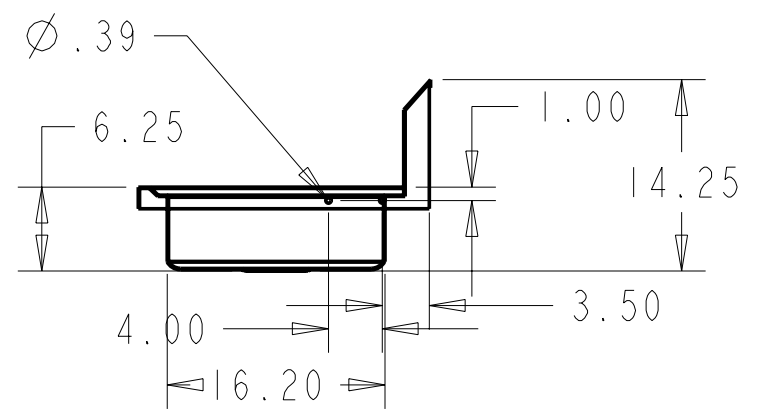


SCALE 0.150

SCALE 0.100



SCALE 0.070



**HAND WARE- PLUMBING & COMMERCIAL COMPONENTS & SUPPLIES**  
**SINKS \* WASHING \* DRAINAGE \* EQUIPMENT \* SUPPLIES**

MODEL #: BKHS-W-1620

DESCRIPTION:

MATERIAL:

DATE:

DRAFTER:

SCALE: 6"=1"-0"

APPROVED BY:

REVISIONS

DATE

Dimensions subject to change without prior notification. This illustration is the exclusive property of BK Resources. It may not be distributed in any manner with out the express consent of BK Resources

**BK Resources**  
 1609 WEST WERNING AVE., SUITE D  
 EFFINGHAM, IL 62401  
 (888)310-4393 / FAX (888)310-4394  
 EMAIL: sales@bk-resources.com  
 VISIT OUR WEBSITE  
 www.bk-resources.com