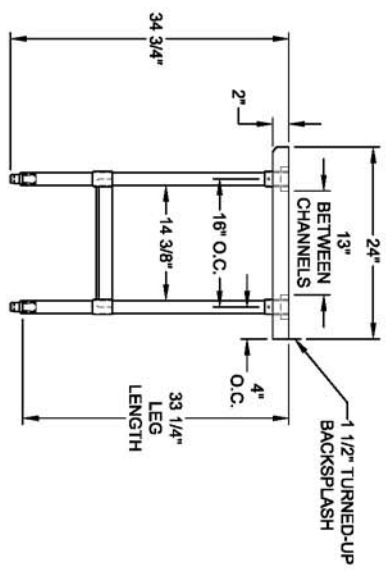
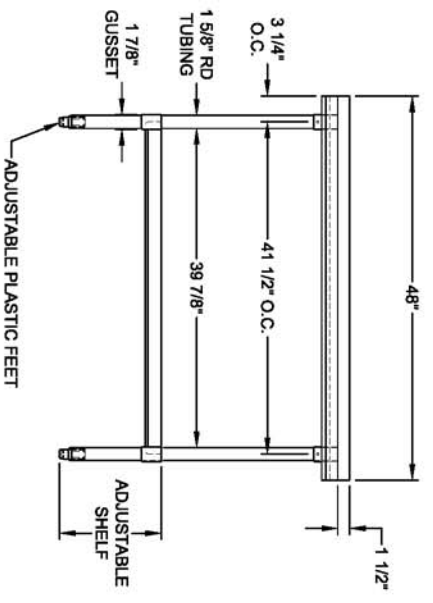


NOTE:
 - SHELF SIZE IS 41 1/2" X 16"
 - CHANNEL 3" X 1"



DRAWN FOR:		DATE: 12-7-08		REVISIONS	
REF:		BY: M.B.			
LOCATION:		SCALE: 1/2"=1'-0"			
ITEM #: VTTR-4824	QTY:	SHEET #:	QUAD:	CHECKED BY:	
MODEL #:	PROD. NO.	MAT. DECK: GALV.	BASE: GALV.		

