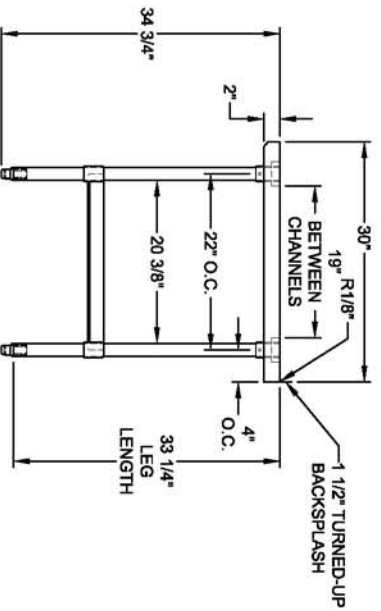
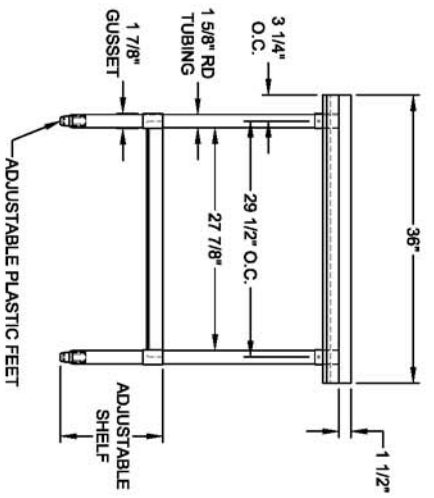
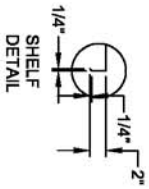
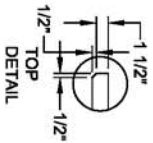


NOTE:
 - SHELF SIZE IS 29 1/2" X 22"
 - CHANNEL 3" X 1"



DRAWN FOR:

DATE: 12-7-08

DATE

REVISIONS

REF:

BY: M.B.

LOCATION:

SCALE: 1/2"=1'-0"

ITEM #: VTTR-3630

QTY:

SHEET #:

QUAD:

CHECKED BY:

MODEL #:

PROD. NO.

MAT.:

DECK: GALV.

BASE: GALV.

R Resources