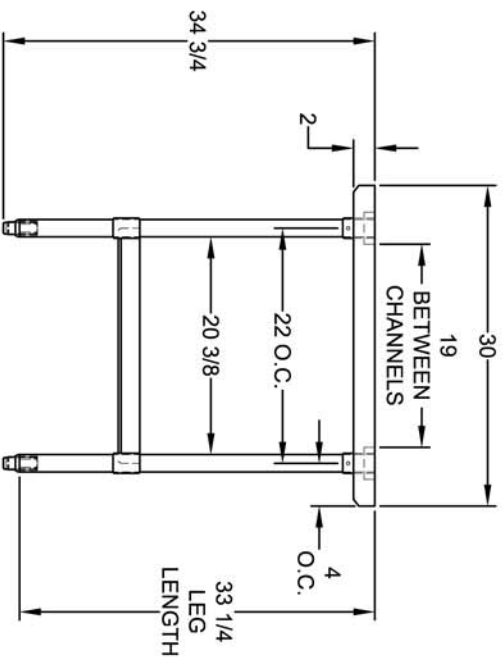
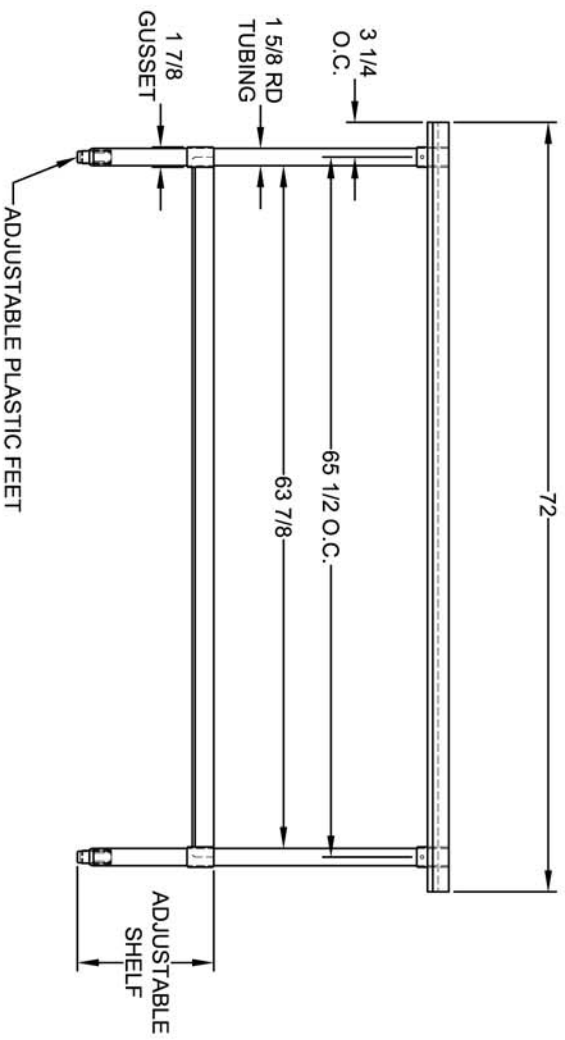
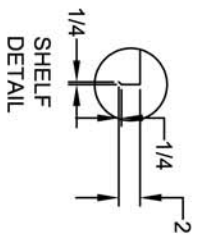
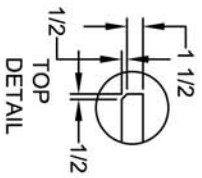


NOTE:  
 - SHELF SIZE IS 65 1/2 X 22  
 - CHANNEL 3 X 1



DRAWN FOR:

MAT. TOP:  
 BASE:

REVISIONS

REF. NO.

REQD/ITEM

ITEM NAME: VTT-2230

DATE:

PROD. NO.

BY: J.K.

SCALE:

CHECKED BY:

**RK Resources**  
 1609 West Wernsing Suite D  
 Effingham, IL 62401