



# STAR-MAX® 15 lb. ELECTRIC FRYERS

## Models 515D & 515ED

Star-Max® 15 lb. Electric Fryer

### Features/Benefits:

- ★ Star-Max® 15lb. Electric Fryer offers excellent frying flexibility for any type of menu item sealing in the flavor.
- ★ Model 515D is rated at 5750 watts and can fry 32 pounds of french fries per hour. Our economy model 515ED is rated at 4600 watts can fry 25 pounds of french fries per hour.
- ★ One-piece 15 lb. lift out nickel plated steel kettle is standard for easy straining of oils.
- ★ Immersion-type tubular heating elements provide even heat distribution and precise temperature control.
- ★ Snap-action thermostat ranges from 200°F to 375°F and provides quick response to temperature change.
- ★ High-limit safety thermostat, on-off switch and two indicator lights provide safe and easy operation.
- ★ Two large nickel-plated steel mesh side hanging baskets (4"W x 4-3/4"D x 11"L) provide continuous flow of product during peak periods.
- ★ All stainless steel cabinet for maintenance free operation.
- ★ Heavy-duty 4" adjustable legs to match the height of other Star-Max™ equipment in your line.
- ★ Accessory full basket (8-3/4"W x 5-1/4"D x 10"L) available.



Model 515D/515ED

### Applications:

Star-Max® single pot electric fryer has a wide variety of frying capabilities and is perfect for today's diverse menu selections. No matter what the menu items; onion rings, fries, chicken or fish, Star-Max® electric fryer cooks food sealing in the flavor.

### Quality Construction:

Star's electric 15 lb. fryer features all stainless steel construction. A control housing with indicator light, adjustable snap-action thermostat, hi-limit safety thermostat and immersion type elements are standard. Housing swings up to allow 15 lb. fat capacity kettle to be removed. Fryers operate on 208 or 240 volts with a 6' cord and plug.

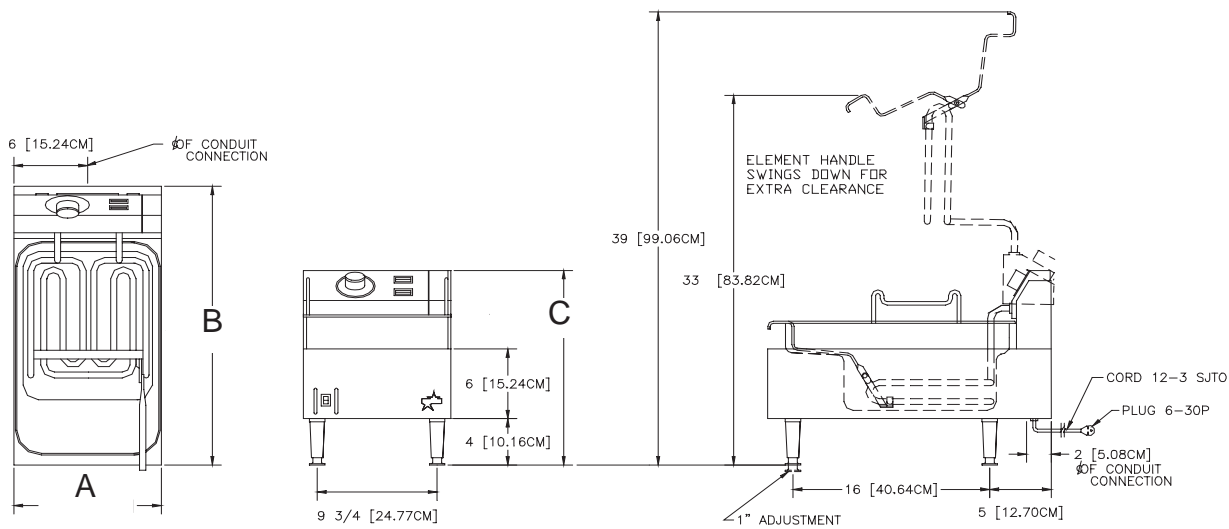
### Warranty:

Star-Max® Electric Fryers are covered by Star's one year parts and labor warranty.





## STAR-MAX<sup>®</sup> 15 lb. ELECTRIC FRYERS Models 515D & 515ED



### Performance Data

Model No.	Pre-Heat to 350°F (177°C)	Fat Capacity	Pounds of French Fries Per Hour	Watts Per Hour To Maintain 350°F (177°C)
515D	4-1/2 Minutes	15 lbs. (6.8 kg)	32 lbs. (14.5 kg)	430
515ED	6-1/2 Minutes	15 lbs. (6.8 kg)	25 lbs. (11.3 kg)	430

### Dimensions & Weight

Model No.	Overall Dimensions			Cooking Surface Height lbs. (kg)	Approximate Weight	
	(A) Width Inches (cm)	(B) Depth Inches (cm)	(C) Height Inches (cm)		Installed lbs. (kg)	Shipping lbs. (kg)
515D/515ED	12 (30.5)	24 (61.0)	16-3/4 (42.5)	10 (25.4)	38 (21.3)	47 (20.9)
Model No.	Fat Container			Foam Compartment		
	Width Inches (cm)	Depth Inches (cm)	Height Inches (cm)	Width Inches (cm)	Depth Inches (cm)	Height Inches (cm)
515D/515ED	10-1/2 (26.7)	12-1/2 (31.8)	4-3/4 (12.1)	11-1/2 (29.2)	18 (45.7)	2-3/4 (7.0)

Legs adjusts 4" to 5-3/8" (10.2 cm to 13.7 cm)

### Electrical Data

Model No.	Rated Wattage		Nominal Amps	
	208V	240V	208V	240V
515D	4319	5750	20.8	24.0
515ED	3455	4600	16.6	19.2

### Typical Specifications

Electric fryer has a stainless steel body with black polycarbonate trim on the front panel. A 200° - 375° (93°C - 191°C) adjustable thermostat and a hi-limit safety thermostat, with a separate on-off switch are standard. A one piece nickel plated, lift out 15 lb. (6.8 kg) capacity steel kettle and 4" high nickel plated legs are standard. Unit has a tubular type, two position, swing-up element. Two side mounted nickel plated, perforated steel mesh baskets are provided as standard. A 6 ft. (182.9 cm) lead-in cord and plug with a NEMA 6-30P. Unit carries approval of Underwriters' Laboratories, National Sanitation Foundation and CSA. Printed in the U.S.A.

Star Manufacturing International Inc. - 10 Sunnen Drive - P.O. Box 430129 - St. Louis, MO 63143-3800

Phone: (800) 264-7827 - FAX: (800) 264-6666 - www.star-mfg.com